



SUNPOWER TECHNOLOGY CORP.
 16F-1, No.150, Jian 1st Rd., Zhonghe Dist., New Taipei City 235, Taiwan (R.O.C.)
 TEL: 886-2-8226-3100 FAX: 886-2-8226-3111
 http://www.sunpower.com.tw
 E-mail: sunpower@sunpower.com.tw

SDS-150B/C/Dxx Series

150W, Single Output
 24V / 48V / 96V DC Input



198 x 99 x 50 mm
 7.8 x 3.9 x 1.97 inch



Features:

- * Power ON with LED indicator.
- * Input and output isolation
- * Soft start function, low inrush current
- * Non min. load requirement
- * Input over voltage and under voltage protection
- * Input polarity reverse protection
- * Over voltage, over load & short circuit protection
- * Over temperature protection (optional)
- * Remote control ON/OFF (optional)
- * Output voltage $\pm 10\%$ adjustment
- * 100% full load burn-in test
- * Meet LVD standard
- * 2 years warranty

Specification:

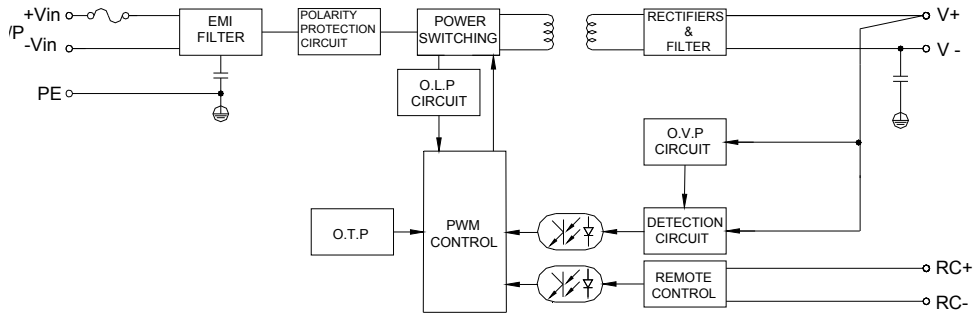
	Model No.	SDS-150Bxx Ser.		SDS-150Cxx Ser.		SDS-150Dxx Ser.		
INPUT	Voltage	19 ~ 32VDC (Typical 24V)		36 ~ 72VDC (Typical 48V)		72 ~ 144VDC (Typical 96V)		
	Current	<12A@19VDC		<6.3A@36VDC		<3.0A@72VDC		
	Inrush current	<30A@24VDC		<30A@48VDC		<30A@96VDC		
	Protection	Fuse , 20A/250V		Fuse , 10A/250V		Fuse , 4A/250V		
OUTPUT	Voltage	3.3V	5V	7.5V	12V	24V	48V	
	Max Load	30A	30A	20A	12.5A	6.3A	3.2A	
	Output Tolerance ②	$\pm 3\%$	$\pm 2\%$	$\pm 1\%$	$\pm 1\%$	$\pm 1\%$	$\pm 1\%$	
	Ripple Noise MAX. ③	70mV	70mV	80mV	120mV	150mV	250mV	
	Efficiency (TYP.)	SDS-150B	70%	75%	78%	78%	80%	80%
		SDS-150C,D	70%	75%	78%	80%	83%	84%
PROTECTION	Output MAX.	100W	150W	150W	150W	150W	150W	
	Over Voltage	3.8~4.6V	5.8~7.0V	8.6~10.5V	13.8~16.8V	27.6~33.6V	55.2~67.2V	
		Hiccup and recovers automatically after the fault is removed.						
	Over Load & Short Circuit	When power supply over 105%~ 180% max load or short circuit acted, power supply will go into hiccup mode and recover automatically after the fault is removed.						
	Input Voltage	SDS-150B	Under voltage shut down: <15V ~ 17V , over voltage protection: >37V~42V					
	SDS-150C	Under voltage shut down: <32V ~ 35V , over voltage protection: >73V~78V						
ELEC. CHAR.	Over Temperature	Optional, Over 95°C $\pm 5^\circ\text{C}$ Shutdown, recovers automatically after fault condition has been removed.						
	Rise time	<50mS						
ENVIRONMENT	Remote Control On/Off	Optional, RC+/RC-:0~0.7V=Power Off; 3~10V=Power On Sink Current: 3~10mA.						
	Temperature ④	Operating: -10 ~ 70°C ; De-rating: 45 ~ 70°C : 2.5%/°C ; Storage: -20 ~ +85°C						
SAFETY	Humidity	Operating: 20% ~ 90% RH (non condensing); Storage: 10% ~ 95% RH (non condensing)						
	Withstand voltage	I/P-O/P:2.0KVAC, I/P-PE:1.5KVAC 1minute						
EMC	Isolation resistance	I/P-O/P, I/P-PE, > 100M Ω /500VDC at 25°C / 70% RH						
	EMI	EN 55022 CLASS B · FCC CFR 47 PART 15 CLASS B · CNS 13438 CLASS B.						
OTHERS	EMS	EN 55024 : EN 61000-4-2,3,4,6,8 ; ENV 50204						
	Cooling	Natural Cooling, When output exceed 100W a 25 CFM(min) fan is required.						
	M.T.B.F.	229K hours						
	Dimension	198 x 99 x 50 mm (L*W*H)						
NOTE	Packing	N.W.: 0.8 Kg / 1pc; 20pcs/ 1.38 CUFT / 1 CTN						
		① All measurements which not mentioned are based on 24V/48V/96VDC input, output Max at ambient 25°C / 70%RH						
		② Output tolerance included set up voltage, line regulation and load regulation.						
	③ Ripple & noise are measured at 21~36V/42~72V/82~144VDC input with 10~50°C condition and 20MHz of bandwidth by terminated using a 10" ~ 15" twisted pair-wire with a 0.1uF & a 47uF parallel capacitor.							
	④ The operating temperature shall follow the de-rating curve in spec							
	⑤ The power supply is considered a component of end-equipment. The end-equipment must be re-confirmed whether comply with EMC directives.							



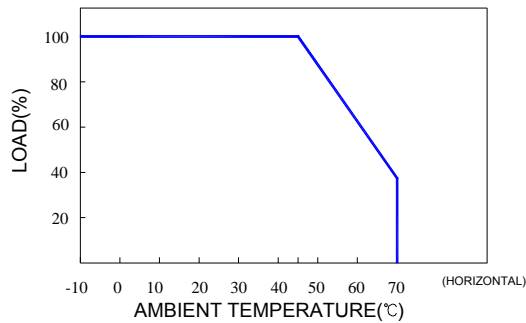
SUNPOWER TECHNOLOGY CORP.
 16F-1, No.150, Jian 1st Rd., Zhonghe Dist., New Taipei City 235, Taiwan (R.O.C.)
 TEL: 886-2-8226-3100 FAX: 886-2-8226-3111
 http://www.sunpower.com.tw
 E-mail: sunpower@sunpower.com.tw

SDS-150B/C/Dxx Series

Block Diagram : DS3

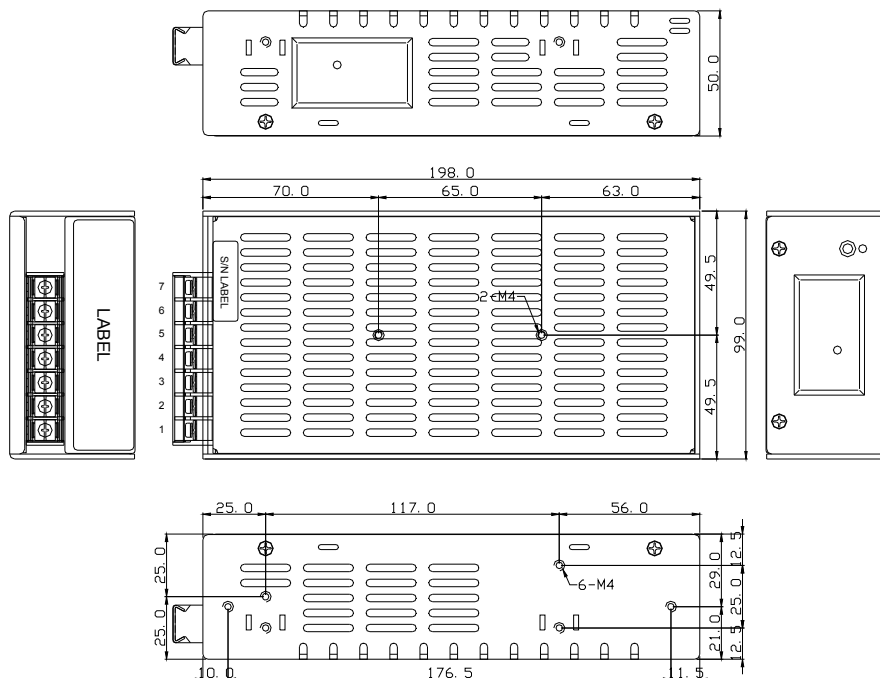


De-rating Curve :



Dimension:

(Unit: mm)



NOTES:

TERMINAL BLOCK: 7P, PITCH 9.5mm with pc cover

MODEL No.	1	2	3	4	5	6	7
SDS-150B/C/Dxx	+Vin	-Vin	PE	-V	-V	+V	+V